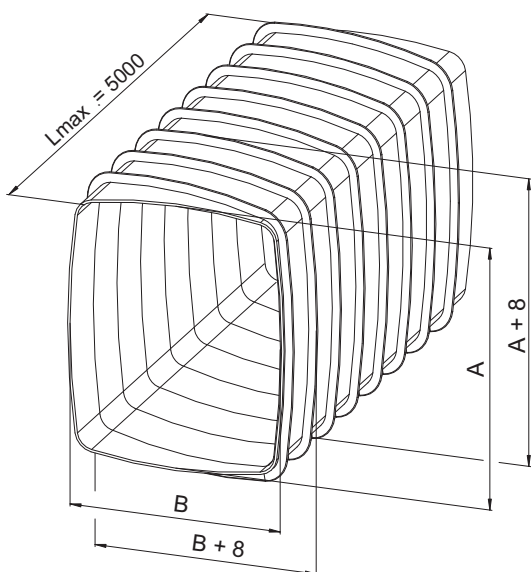
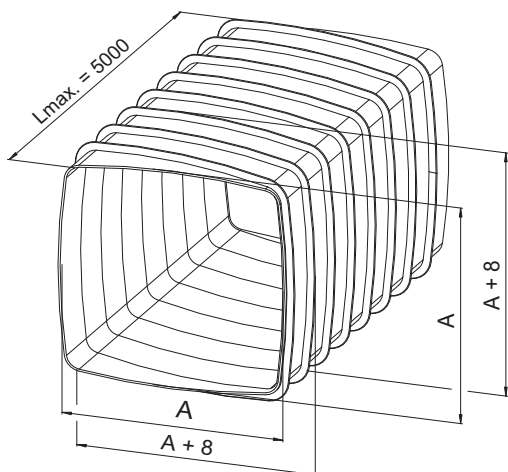
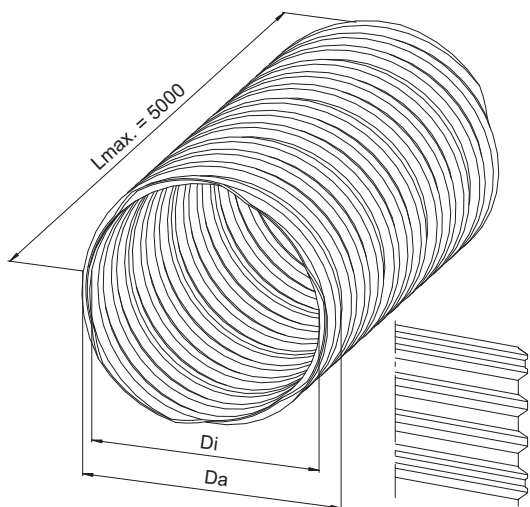




### TECHNICAL DATA:



\* These tubes are not profiled on the inside. This means a shearing bond as with round tubes between grout and surrounding concrete is not possible! Therefore these kind of tubes are not suitable for anchoring traction loads.

### ROBUSTA-tubes for cut outs

round, normal steel

Internal-Ø [mm]	External-Ø [mm]	Weight [kg/m]	Item No.
40	46	0.26	220400
50	56	0.35	220500
60	67	0.40	220600
65	72	0.48	220650
70	77	0.58	220700
80	87	0.67	220800
100	108	0.86	221000
125	133	1.12	221250
150	158	1.28	221500
200	210	1.70	222000
250	260	2.25	222500
300	310	2.68	223000
310	320	2.72	223100
350	360	3.12	223500
400	410	3.55	224000
480	500	6.22	225000
580	600	7.50	226000
680	700	11.60	227000
780	800	12.60	228000
880	900	14.18	229000
980	1000	15.80	229800

quadratic\*, normal steel

Nominal width [mm]	ext. measurements [mm]	Weight [kg/m]	Item No.
58 x 58	66 x 66	0.75	230580
70 x 70	78 x 78	0.88	230700
82 x 82	90 x 90	1.01	230820
100 x 100	108 x 108	1.15	231000
130 x 130	138 x 138	1.65	231300
140 x 140	148 x 148	1.70	231400
190 x 190	198 x 198	2.35	231900
200 x 200	208 x 208	2.45	232000

rectangle\*, normal steel

Nominal width [mm]	Ext. measurements [mm]	Weight [kg/m]	Item No.
57 x 28	65 x 36	0.53	240570
70 x 50	78 x 58	0.74	240700
77 x 42	85 x 50	0.86	240770
90 x 60	98 x 68	0.86	240900
100 x 80	108 x 88	1.05	241000
105 x 50	113 x 58	0.97	241050
120 x 70	128 x 78	1.18	241200
130 x 70	138 x 78	1.58	241300
140 x 80	148 x 88	1.38	241400
160 x 80	168 x 88	1.50	241680
160 x 100	168 x 108	1.65	241600
170 x 70	178 x 78	1.65	241700
175 x 55	183 x 63	1.73	241750
230 x 76	238 x 84	1.94	242300